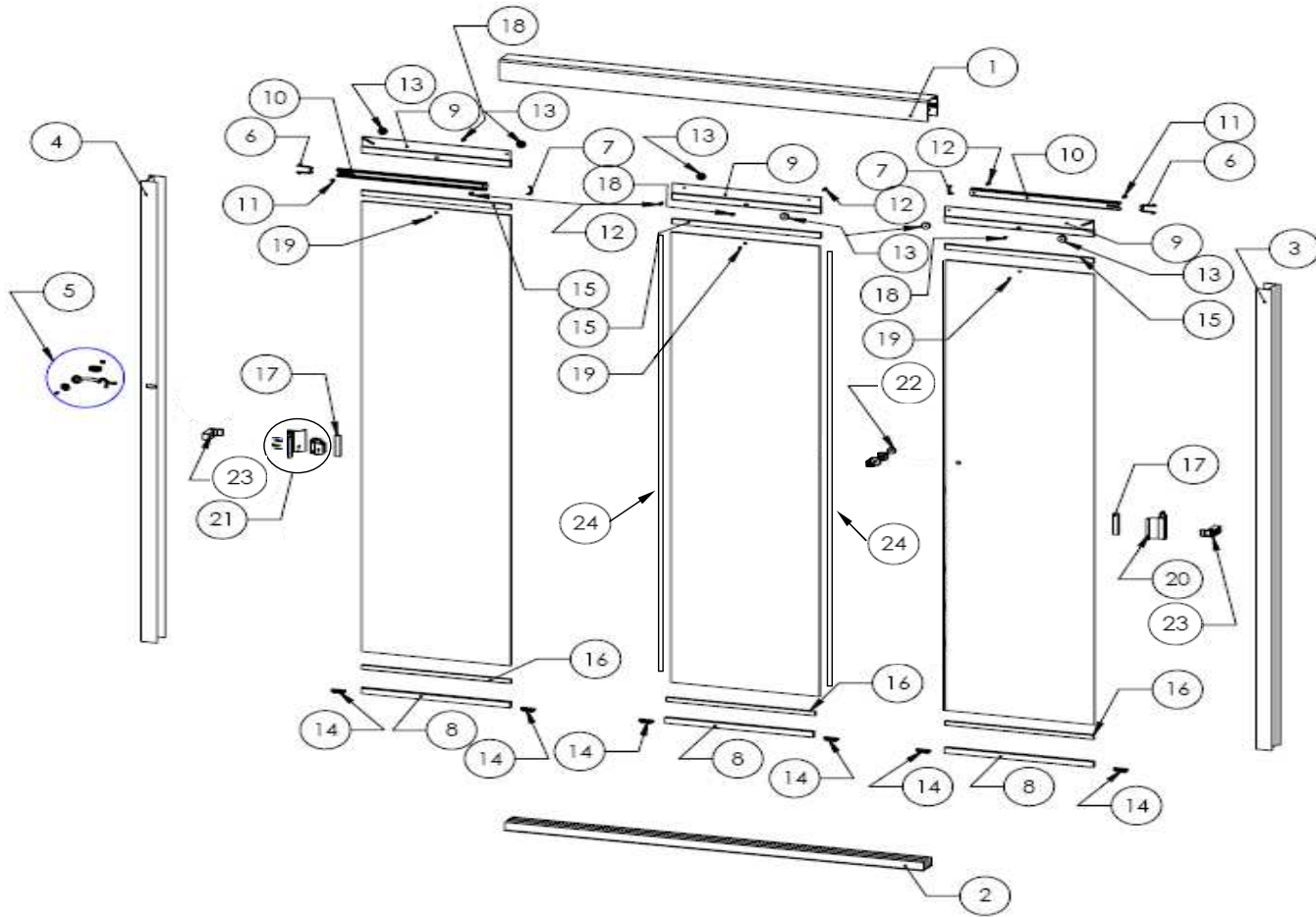


TRI-SLIDE BETA COMPONENTS



Part #	Qty.	Description	Part #	Qty.	Description
1) 1064	1	Header	15) I-140	3	Top Rail Glazing Vinyl
2) 1065	1	Sill	16) V-56	3	Bottom Rail Vinyl
3) 1066-01	1	Wall Jamb	17) V-56	2	Handle Vinyl
4) 1066-02	1	Wall Jamb (Latch Side)	18) I-148	3	#8-32 X 3/8" Flat Head Screw
5) I-152	1	Travel Latch Assembly	19) I-149	3	#8 5mm Spacer
6) H-284	2	Stop Clip Assembly	20) SEE BELOW	1	Handle
7) I-139	2	End Stop Clip Assembly	21) SEE BELOW	1	Handle/Bumper Assembly
8) 1068	3	Bottom Rail	22) 3SB-CATCH	1	Travel Latch Catch Assembly
9) 1067	3	Top Rail	23) I-137*	2	Stop Jamb Bumper
10) 1069	2	Track	24) I-219	2	Bulb Gap Seal (Center Panel)
11) S-105	2	8-32 X 3/8 Hex Bolt	25) S-32*	4	#8 x 1/2" Screw (Not Pictured)
12) I-141	4	8-32 X 7/16 Pan Head Bolt	26) I-170*	6	#8 x 1 1/2" Screw (Not Pictured)
13) H-6	6	3/4" Flat Roller	27) H-247*	1	SEA Latch Decal (Not Pictured)
14) H-288	6	Bottom Roller Assembly			*Included in Hardware Bag (100198)

- 20) 1078-01 (NO SET SCREW - GLUED ONTO GLASS)
- 1078E-01 (WITH SET SCREW - SCREWED ONTO GLASS)
- 21) 1078-02A (NO SET SCREW - GLUED ONTO GLASS)
- 1078E-02A (WITH SET SCREW - SCREWED ONTO GLASS)



Shower Enclosures America, Inc.
Ontario, CA